



Short Description



- Nickel plated alloy steel IP67 shear beam load cell (100kg & 250kg are bending beam load cells)
- Adhesive sealed
- Suitable for platform weighing, bed weighing, etc.
- High accuracy
- High reliability
- Current calibrated (SC-option)



Test certificate no. TC8012 Revision 1
C of C no R60/2000-NL1-12.12



Certificate no. 12-028

Available Models

Capacity	Accuracy	Full Article Description
100kg	C3/C4/C5	H8C-C3/C4/C5-100kg-4B(-SC-W6)
250kg	C3/C4/C5	H8C-C3/C4/C5-250kg-4B(-SC-W6)
500kg	C3/C4/C5	H8C-C3/C4/C5-500kg-4B(-SC-W6)
750kg	C3/C4/C5	H8C-C3/C4/C5-750kg-4B(-SC-W6)
1t	C3/C4/C5	H8C-C3/C4/C5-1.0t-4B(-SC-W6)
1.5t	C3/C4/C5	H8C-C3/C4/C5-1.5t-4B(-SC-W6)
2t	C3/C4/C5	H8C-C3/C4/C5-2.0t-4B(-SC-W6)
2.5t	C3/C4/C5	H8C-C3/C4/C5-2.5t-6B(-SC-W6)
3t	C3/C4/C5	H8C-C3/C4/C5-3.0t-6B(-SC-W6)
5t	C3/C4/C5	H8C-C3/C4/C5-5.0t-6B(-SC-W6)
10t	C3/C4/C5	H8C-C3/C4/C5-10t-6B(-SC-W6)

Specifications and dimensions are subject to change without notice and do not constitute any liability whatsoever.

Technical Specifications H8C

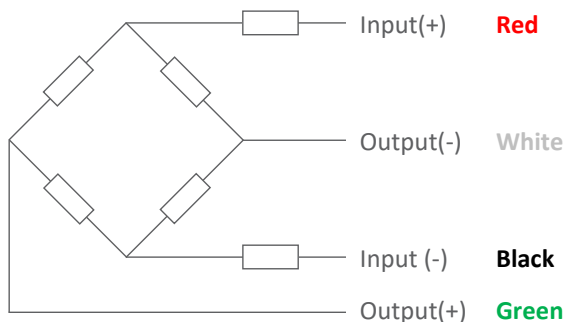
Accuracy Class		OIML R60 C3	OIML R60 C4	OIML R60 C5
Output Sensitivity (= FS)	mV/V	3.0 ± 0.003		
Maximum Capacity (E _{max})	t	0.1, 0.25, 0.5, 075, 1, 1.5, 2, 2.5, 3, 5, 10	0.1, 0.25, 0.5, 0.75, 1, 1.5, 2, 2.5	3, 5, 10
Max. Number of Load Cell Intervals	n _{LC}	3000	4000	5000
Ratio of min. LC Verification Interval	$Y = E_{max} / V_{min}$	10000	15000	20000 18000
Combined Error	%FS	≤± 0.023	≤± 0.0175	≤± 0.014
Creep Error (30 minutes)	%FS	≤± 0.016	≤± 0.012	≤± 0.010
Temperature Effect on Zero (ZTC)	%FS/10°C	≤± 0.015	≤± 0.010	≤± 0.007
Temperature Effect on Sensitivity (STC)	%FS/10°C	≤± 0.011	≤± 0.009	≤± 0.008
Zero Balance	%FS	≤± 1.0		
Safe Overload	%FS	150		
Ultimate Overload	%FS	300		
Maximum Deflection	mm	0.1t – 0.2t: 0.3	0.5t – 5t: ~ 1.2	10t: 0.8
Excitation, Recommended Voltage	V	5 ~ 12		
Excitation, Maximum Voltage	V	18		
Input Resistance	Ω	350 ± 3.5		
Output Resistance	Ω	350 ± 3.5		
Insulation Resistance (50V)	MΩ	≥5000		
Compensated Temperature	°C	-10 ~ + 40		
Operating Temperature	°C	-35 ~ + 65		
Storage Temperature	°C	-40 ~ + 80		
Load Cell Weight	kg	0.1t – 2.0t: ~ 0.9	2.5t – 5t: ~ 1.7	10t: ~ 3.6
Element Material		Nickel plated alloy steel		
Ingress Protection (acc. to EN 60529)		IP67		
Recommended Torque on Fixation Bolts	Nm	M12: 100	M18:200	M24:700
ATEX Classification (optional)		II 1G Ex ia IIC T4 Ga	II 1D Ex ia IIIC T ₂₀₀ 135°C Da	II 3G Ex ic IIC T4 Gc

Wiring

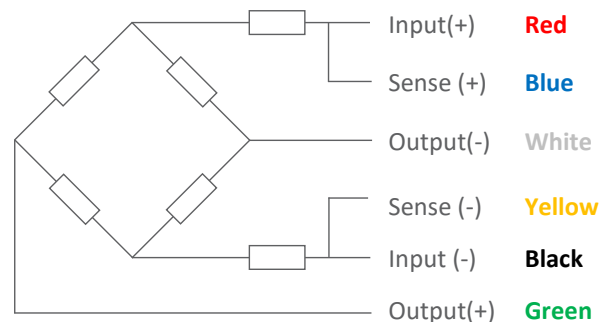
Features:

Cable type: Shielded, 4 or 6 conductor cable, conductor AWG 22 (4-wire) & AWG 24 (6-wire)
 Cable diameter: Ø 5.0mm
 Cable length: 4m for 100kg – 2t; 6m for higher capacities
 Cable jacket: Polyurethane
 Shield not connected to element

4-Wire Connection Diagram



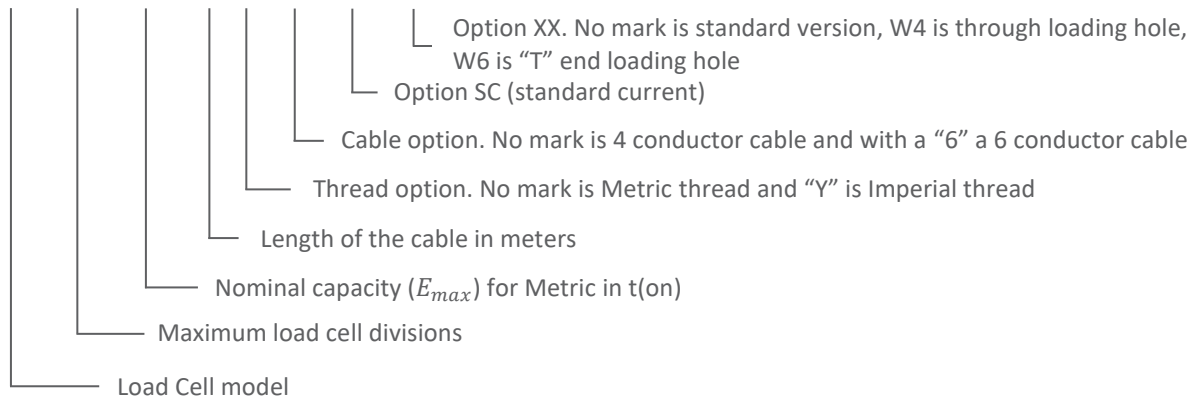
6-Wire Connection Diagram



Specifications and dimensions are subject to change without notice and do not constitute any liability whatsoever.

Ordering Info

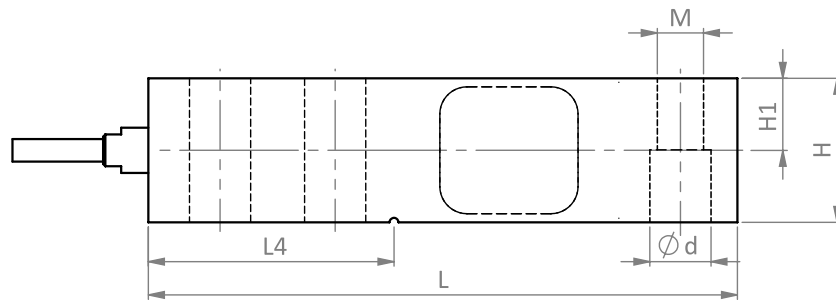
H8C - C3 - 1.0t - 4 - - BX - SC - XX



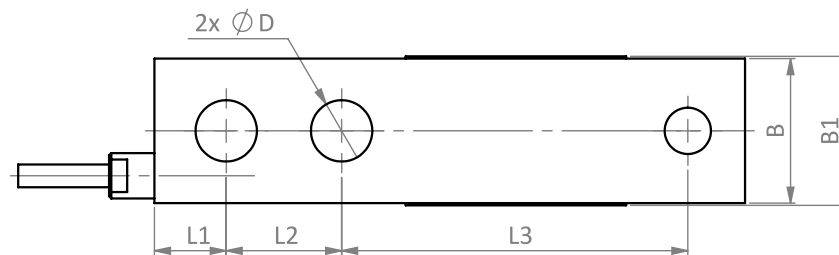
Dimensions in mm

Standard Version

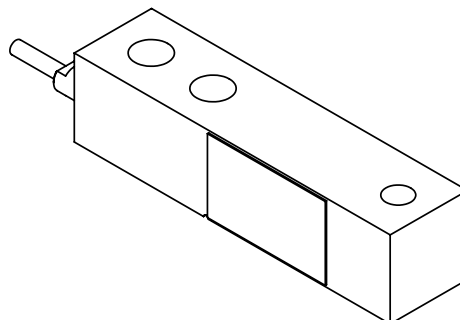
Side View



Top View



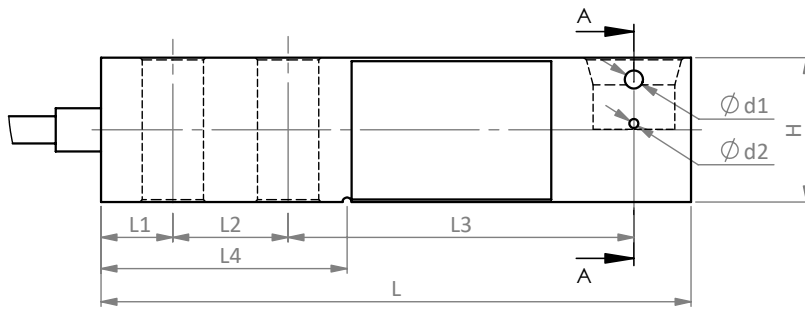
Isometric View



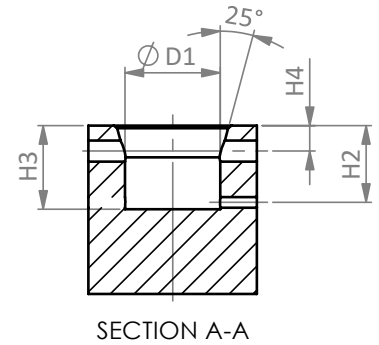
Type H8C Load Cell

Option W6 version ("T" end loading hole)

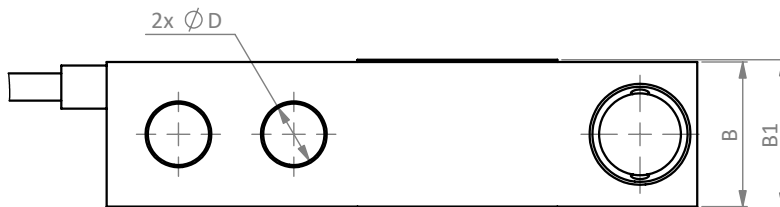
Side View



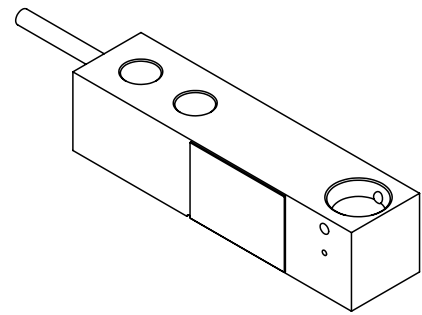
Front View



Top View

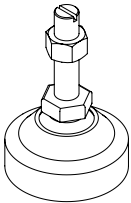
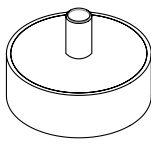
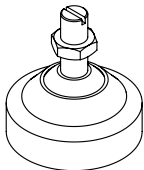
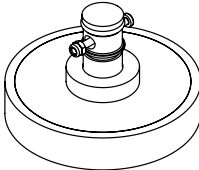
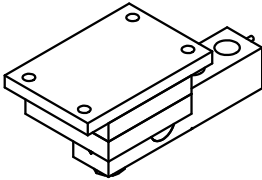
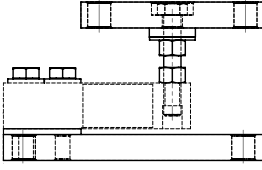
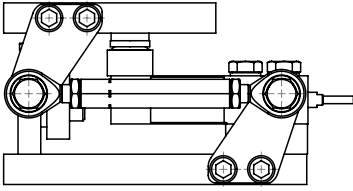
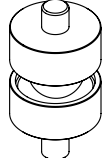


Isometric View



Capacity	100kg -250kg	0.5t-2t	2.5t-5t	10t
Dimension				
L	130	130	171.5	222.3
L1	15.8	15.8	19.1	25.4
L2	25.4	25.4	38.1	50.8
L3	76.2	76.2	95.3	120.7
L4	54.2	54.2	77.2	101.6
B	31.8	31.8	38.1	50.8
B1	37	34	40	52.4
H	31.8	31.8	38.1	50.8
H1	15.8	15.8	18.8	25.4
H2	14.5	14.5	17.5	-
H3	15.8	15.8	18.8	-
H4	4.8	4.8	4.8	-
ØD	13.5	13.5	19.8	26
ØD1	18	18	25	-
Ød1	4	4	4	-
Ød2	2	2	2	-
M	12 x 1.75	12 x 1.75	18 x 1.5	24 x 2

Available Accessories

<p>HJ-8-201-0.1-10t Foot</p> <ul style="list-style-type: none"> • Ø60-86mm and height 92-112 mm • Nickel plated alloy steel • Adjustable height 	
<p>HJ-8-203-0.1-2t Foot</p> <ul style="list-style-type: none"> • Ø67mm and height 46 mm • Nickel plated alloy steel • Very easy installation 	
<p>HJ-8-213-0.5-2t Foot</p> <ul style="list-style-type: none"> • Ø60mm and height 62 mm • Nickel plated alloy steel • Adjustable height 	
<p>HJ-8-236-0.25-5t Foot (for -W6 type)</p> <ul style="list-style-type: none"> • Ø80mm and height 50 mm • Nickel plated alloy steel • Adjustable mount 	
<p>Elastomer-0.5-10t</p> <ul style="list-style-type: none"> • Easy installation • Suitable for shock load 	
<p>HM-8-402-0.5-5t Mount</p> <ul style="list-style-type: none"> • Nickel plated alloy steel • Adjustable mounting height • Easy installation 	
<p>HM-8-901-0.1t-2t/2.5t-5t Mount</p> <ul style="list-style-type: none"> • Nickel plated alloy steel • Lift-off and horizontal movement protection • Easy installation, including load cell dummy 	
<p>HY-8-102-0.5-5t Ball Foot</p> <ul style="list-style-type: none"> • Nickel plated alloy steel • Easy installation • Good self-alignment ability 	
<p>HD-8-301-0.5-10t Spacer Plate</p> <ul style="list-style-type: none"> • Nickel plated alloy steel spacer plate • 3 Different sizes for various capacities 	